

## Product Overview

## Product Selection Guide

## Safety Switch

Switch Type	NEMA Rating	Fused/non-fused	Number of Poles				
			1	2	3	4	6
Heavy-duty single-throw	NEMA 1	Fused and non-fused <sup>①</sup>	—	30–800A	30–1200A	30–600A	—
	NEMA 3R	Fused and non-fused <sup>②</sup>	30–600A	30–800A	30–1200A	—	—
	NEMA 12/3R	Fused and non-fused <sup>①②</sup>	30–600A	30–800A	30–1200A	30–600A	30–200A
	NEMA 4	Fused and non-fused	—	400–800A	400–800A	—	—
	NEMA 7/9	Fused and non-fused <sup>③</sup>	—	—	30–100A	—	—
	NEMA 4X Non-Metallic	Fused and non-fused <sup>③</sup>	—	—	30–200A	—	—
	NEMA 4X stainless-steel (304 or 316 grade)	Fused and non-fused <sup>①②</sup>	30–600A	30–800A	30–1200A	30–600A	30–200A
General-duty single-throw	NEMA 1	Plug fuse	30A	30A	—	—	—
	NEMA 1 and 3R	Fused	—	30–600A	30–600A	—	—
	NEMA 1	Non-fused	—	30–100A	30–600A	—	—
	NEMA 3R	Non-fused	—	30–200A	30–600A	—	—
Heavy-duty double-throw	NEMA 1	Fused	—	200A	30–1200A	—	—
	NEMA 3R	Fused <sup>④</sup>	—	200A	100–1200A	—	—
	NEMA 12	Fused	—	—	30–400A	—	—
	NEMA 4X stainless-steel (304 or 316 grade)	Fused	—	—	30–400A	—	—
	NEMA 1	Non-fused	—	30–1200A	30–1200A	200–800A	—
	NEMA 3R	Non-fused <sup>④</sup>	—	200–1200A	30–1200A	30–800A	30–100A
	NEMA 12	Non-fused	—	—	30–800A	—	—
NEMA 4X stainless-steel (304 or 316 grade)	Non-fused	—	—	30–800A	—	—	
General-duty double-throw	NEMA 3R	Non-fused	—	30–400A	—	—	—
Shunt trip safety switches	NEMA 1, 3R, 4, and 12	Fused and non-fused	—	30–800A	30–800A	30–400A	—
Window switches	NEMA 12/3R and 4X stainless-steel (304 or 316 grade)	Fused and non-fused <sup>①</sup>	—	30–1200A	30–1200A	30–600A	30–200A
Enviroline stainless-steel switch	NEMA 4X (304 or 316 grade)	Fused and non-fused <sup>⑤</sup>	—	30–400A	30–400A	—	—
Mill Duty Switches	NEMA 12/3R and 4X stainless-steel (304 or 316 grade)	Fused and non-fused	—	30–600A	30–600A	—	—
Quick connect double-throw	NEMA 1 and 3R	Fused and non-fused <sup>④</sup>	—	100–1200A	100–1200A	100–1200A	—
Quick connect single-throw	NEMA 1 and 3R	Fused and non-fused <sup>④</sup>	—	100–1200A	100–1200A	100–1200A	—
Elevator control switches	NEMA 1, 3R, 4, and 12	Fused	—	—	30–400A	—	—
OEM Line Isolation Switches (OLI)	NEMA 12/3R and 4X stainless-steel (304 or 316 grade)	Fused and non-fused	—	30–400A	30–400A	—	—
Receptacle switches	NEMA 12/3R and 4X stainless-steel (304 or 316 grade)	Fused and non-fused <sup>⑥</sup>	—	—	30–100A	—	—
Auxiliary power switch	NEMA 3R	Fused and non-fused <sup>④</sup>	—	—	30–200A	—	—
Left-handed switches	NEMA 1, 3R, 12, and 4X stainless-steel (304 or 316 grade)	Fused and non-fused <sup>⑦</sup>	—	—	30–200A	—	—
Heavy-duty CUBEFuse <sup>®</sup>	NEMA 1	Fused	—	—	30–100A	30–100A	—
	NEMA 3R	Fused	—	—	30–100A	—	—
	NEMA 12/3R	Fused	—	—	30–100A	100A	—
	NEMA 4X stainless-steel (304 or 316 grade)	Fused	—	—	30–100A	—	—
Surge switches	NEMA 12/3R and 4X stainless-steel (304 or 316 grade)	Fused and non-fused	—	30–1200A	30–1200A	—	—
Heavy-duty double door	NEMA 12/3R and 4X stainless-steel (304 or 316 grade)	Fused	—	30–1200A	30–1200A	—	—
Enclosed rotary	NEMA 1, 12/3R, NEMA 4X stainless-steel	Non-fused	—	—	16–80A	16–80A	—
	NEMA 4X non-metallic	Non-fused	—	—	16–80A	16–80A	—
	NEMA 4X polycarbonate non-metallic	Non-fused	—	—	30A and 60A	16–80A	—

## Notes

<sup>①</sup> 400–800A 6-pole, and 800A 4-pole heavy-duty, single-throw switches are non-UL Listed and available.

<sup>②</sup> Single-pole product is the single circuit 600 Vdc switch series.

<sup>③</sup> No viewing windows or other enclosure modifications are available with this product.

<sup>④</sup> NEMA 3R stainless versions are available and are UL Listed.

<sup>⑤</sup> Enviroline stainless-steel switches have stainless-steel enclosures, sub pans, handles, and mechanisms.

<sup>⑥</sup> Switches with non-standard receptacles or at higher amperages are non-UL Listed and available.

<sup>⑦</sup> All left-handed switches are non-UL Listed. Higher amperages are not available.

## Heavy-Duty

Ampere Rating	Catalog Number		General Electric	Siemens	Square D
	Eaton				
<b>Fusible, Two-Pole, Two-Wire, 240 Vac, NEMA 1</b>					
30	DH221FGK		TH3221	N/A	H221N
60	DH222NGK		TH3222	N/A	H222N
100	DH223NGK		TH3223	N/A	H223N
200	DH224NGK		TH3224	N/A	H224N
400	DH225FGK		TH3225	N/A	H225
600	DH226FGK		TH3226	N/A	H226
800	DH227FGK		TC72267	N/A	H227
1200	DH328FGK		TC72268	N/A	H228
<b>Fusible, Two-Pole, Three-Wire, 240 Vac, NEMA 1</b>					
30	DH221NGK		TH3221	HF221N	H221N
60	DH222NGK		TH3222	HF222N	H222N
100	DH223NGK		TH3223	HF223N	H223N
200	DH224NGK		TH3224	HF224N	H224N
400	DH225NGK		TH3225	HF225N	H225N
600	DH226NGK		TH3226	HF226N	H226N
800	DH227NGK		TC72267 <sup>①</sup>	HF227N	H227N
1200	DH328NGK		TC72268 <sup>①</sup>	HF228N	H228N
<b>Fusible, Three-Pole, Three-Wire, 240 Vac, NEMA 1</b>					
30	DH321FGK		TH4321	N/A	H321N
60	DH322FGK		TH4322	N/A	H322N
100	DH323FGK		TH4323	N/A	H323N
200	DH324FGK		TH4324	N/A	H324N
400	DH325FGK		TH3325	N/A	H325
600	DH326FGK		TH3326	N/A	H326
800	DH327FGK		TC72367	N/A	H327
1200	DH328FGK		TC72368	N/A	H328
<b>Fusible, Three-Pole, Four-Wire, 240 Vac, NEMA 1</b>					
30	DH321NGK		TH4321	HF321N	H321N
60	DH322NGK		TH4322	HF322N	H322N
100	DH323NGK		TH4323	HF323N	H323N
200	DH324NGK		TH4324	HF324N	H324N
400	DH325NGK		TH4325	HF325N	H325N
600	DH326NGK		TH4326	HF326N	H326N
800	DH327NGK		TC72367 <sup>①</sup>	HF327N	H327N
1200	DH328NGK		TC72368 <sup>①</sup>	HF328N	H328N
<b>Fusible, Four-Pole, Four-Wire, 240 Vac, NEMA 1</b>					
30	DH421FGK	N/A		F421	H461 <sup>②</sup>
60	DH422FGK	N/A		F422	H462 <sup>②</sup>
100	DH423FGK	N/A		F423	H463 <sup>②</sup>
200	DH424FGK	N/A		F424	H464 <sup>②</sup>
400	DH425FGK	N/A		F425	H465 <sup>②</sup>
600	DH426FGK	N/A		F426	H466 <sup>②</sup>

## Heavy-Duty, continued

Ampere Rating	Catalog Number		General Electric	Siemens	Square D
	Eaton				
<b>Non-Fusible, Three-Pole, Three-Wire, 240 Volt/600 Vac, NEMA 1</b>					
30	DH361UGK		THN3361	HNF361	HU361
60	DH362UGK		THN3362	HNF362	HU362
100	DH363UGK		THN3363	HNF363	HU363
200	DH364UGK		THN3364	HNF364	HU364
400	DH365UGK		THN3365	HNF365	HU365
600	DH366UGK		THN3366	HNF366	HU366
800	DH367UGK		TC36367	HNF367	HU367
1200	DH368UGK		TC36368	HNF368	HU368
<b>Fusible, Three-Pole, Two-Wire, 240 Vac, NEMA 3R</b>					
30	DH221NRK		TH3221R	N/A	H221NRB
60	DH222NRK		TH3222R	N/A	H222NRB
100	DH223NRK		TH3223R	N/A	H223NRB
200	DH224NRK		TH3224R	N/A	H224NRB
400	DH225FRK		TH3225R	N/A	H225R
600	DH226FRK		TH3226R	N/A	H226R
800	DH227NRK		TC72267R	N/A	H227R
1200	DH328FRK		TC72268R	N/A	H228R
<b>Fusible, Two-Pole, Three-Wire, 240 Vac, NEMA 3R</b>					
30	DH221NRK		TH3221R	HF221NR	H221NRB
60	DH222NRK		TH3222R	HF222NR	H222NRB
100	DH223NRK		TH3223R	HF223NR	H223NRB
200	DH224NRK		TH3224R	HF224NR	H224NRB
400	DH225NRK		TH3225R	HF225NR	H225NR
600	DH226NRK		TH3226R	HF226NR	H226NR
800	DH227NRK		TC72267R <sup>①</sup>	HF227NR	H227NR
1200	DH328NRK		TC72268R <sup>①</sup>	HF228NR	H228NR
<b>Fusible, Three-Pole, Three-Wire, 240 Vac, NEMA 3R</b>					
30	DH321FRK		TH4321R	N/A	H321NRB
60	DH322FRK		TH4322R	N/A	H322NRB
100	DH323FRK		TH4323R	N/A	H323NRB
200	DH324FRK		TH4324R	N/A	H324NRB
400	DH325FRK		TH3325R	N/A	H325NR
600	DH326FRK		TH3326R	N/A	H326NR
800	DH327FRK		TC72367R	N/A	H327NR
1200	DH328FRK		TC72368R	N/A	H328NR

## Notes

<sup>①</sup> Separate neutral kit required.

<sup>②</sup> 600V switch.

Always verify the number of poles and wires required since catalog numbers may appear in multiple tables.

## Heavy-Duty, continued

Ampere Rating	Catalog Number Eaton	General Electric	Siemens	Square D
<b>Fusible, Two-Pole, Two-Wire, 600 Vac, NEMA 1</b>				
30	DH261FGK	TH2261DC	HF261	H361
60	DH262FGK	TH2262DC	HF262	H362
100	DH263FGK	TH2263DC	HF263	H363
200	DH264FGK	N/A	N/A	H364
400	DH265FGK	N/A	HF265	H265
600	DH266FGK	N/A	HF266	H266
800	DH267FGK	N/A	N/A	H267
1200	N/A	N/A	N/A	H268
<b>Fusible, Three-Pole, Three-Wire, 600 Vac, NEMA 1</b>				
30	DH361FGK	TH3361	HF361	H361
60	DH362FGK	TH3362	HF362	H362
100	DH363FGK	TH3363	HF363	H363
200	DH364FGK	TH3364	HF364	H364
400	DH365FGK	TH3365	HF365	H365
600	DH366FGK	TH3366	HF366	H366
800	DH367FGK	TC72367	HF367	H367
1200	DH368FGK	TC72368	HF368	H368
<b>Fusible, Three-Pole, Four-Wire, 600 Vac, NEMA 1</b>				
30	DH361NGK	TH3361 ①	HF361N	H361N
60	DH362NGK	TH3362 ①	HF362N	H362N
100	DH363NGK	TH3363 ①	HF363N	H363N
200	DH364NGK	TH3364 ①	HF364N	H364N
400	DH365NGK	TH3365 ①	HF365N	H365N
600	DH366NGK	TH3366 ①	HF366N	H366N
800	DH367NGK	TC72367 ①	HF367N	H367N
1200	DH368NGK	TC72368 ①	HF368 ①	H368N
<b>Fusible, Four-Pole, Four-Wire, 600 Vac, NEMA 1</b>				
30	DH461FGK	TH6661	N/A	H461
60	DH462FGK	TH6662	N/A	H462
100	DH463FGK	TH6663	N/A	H463
200	DH464FGK	TH6664	N/A	H464
400	DH465FGK	N/A	N/A	H465
600	DH466FGK	N/A	N/A	H466
<b>Non-Fusible, Two-Pole, Two-Wire, 600 Vac, NEMA 1</b>				
30	DH261UGK	THN2261DC	HN261	HU361
60	DH362UGK	THN2262DC	HN262	HU362
100	DH263UGK	THN2263DC	HN263	HU363
200	DH364UGK	N/A	N/A	HU364
400	DH265UGK	N/A	HN265	HU265
600	DH266UGK	N/A	HN266	HU266
800	DH267UGK	N/A	N/A	HU267
1200	N/A	N/A	N/A	HU268

## Heavy-Duty, continued

Ampere Rating	Catalog Number Eaton	General Electric	Siemens	Square D
<b>Non-Fusible, Four-Pole, Four-Wire, 600 Vac, NEMA 1</b>				
30	DH461UGK	THN6661	N/A	HU461
60	DH462UGK	THN6662	N/A	HU462
100	DH463UGK	THN6663	N/A	HU463
200	DH464UGK	THN6664	N/A	HU464
400	DH465UGK	N/A	N/A	HU465
600	DH466UGK	N/A	N/A	HU466
<b>Fusible, Two-Pole, Two-Wire, 600 Vac, NEMA 3R</b>				
30	DH361FRK	TH2261RDC	HF261R	H361RB
60	DH362FRK	TH2262RDC	HF262R	H362RB
100	DH363FRK	TH2263RDC	HF263R	H363RB
200	DH364FRK	N/A	N/A	H364RB
400	DH365FRK	N/A	N/A	H265R
600	DH366FRK	N/A	HF265R	H266R
800	DH367FRK	N/A	HF266R	H267R
1200	DH368FRK	N/A	N/A	H268R
<b>Fusible, Three-Pole, Three-Wire, 600 Vac, NEMA 3R</b>				
30	DH361FRK	TH3361R	HF361R	H361RB
60	DH362FRK	TH3362R	HF362R	H362RB
100	DH363FRK	TH3363R	HF363R	H363RB
200	DH364FRK	TH3364R	HF364R	H364RB
400	DH365FRK	TH3365R	HF365R	H365R
600	DH366FRK	TH3366R	HF366R	H366R
800	DH367FRK	TC72367R	HF367R	H367R
1200	DH368FRK	TC72368R	HF368R	H368R
<b>Fusible, Three-Pole, Four-Wire, 600 Vac, NEMA 3R</b>				
30	DH361NRK	TH3361R ①	HF361NR	H361NRB
60	DH362NRK	TH3362R ①	HF362NR	H362NRB
100	DH363NRK	TH3363R ①	HF363NR	H363NRB
200	DH364NRK	TH3364R ①	HF364NR	H364NRB
400	DH365NRK	TH3365R ①	HF365NR	H365NR
600	DH366NRK	TH3366R ①	HF366NR	H366NR
800	DH367NRK	TC72367R ①	HF367NR	H367NR
1200	DH368NRK	TC72368R ①	HF368R	H368NR
<b>Non-Fusible, Three-Pole, Three-Wire, 600 Vac, NEMA 3R</b>				
30	DH361URK	THN2261RDC	HN261R	HU361RB
60	DH362URK	THN2262RDC	HN262R	HU362RB
100	DH363URK	THN2263RDC	HN263R	HU363RB
200	DH364URK	N/A	N/A	HU364RB
400	DH365URK	N/A	HN265R	HU265R
600	DH366URK	N/A	HN266R	HU266R
800	DH367URK	N/A	N/A	HU267R
1200	DH368URK	N/A	N/A	HU268R

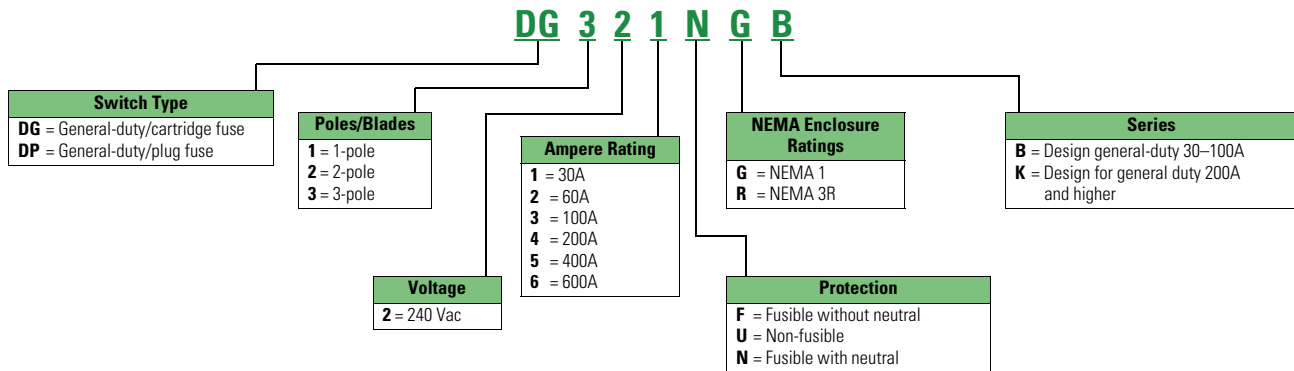
**Notes**

① Separate neutral kit required.

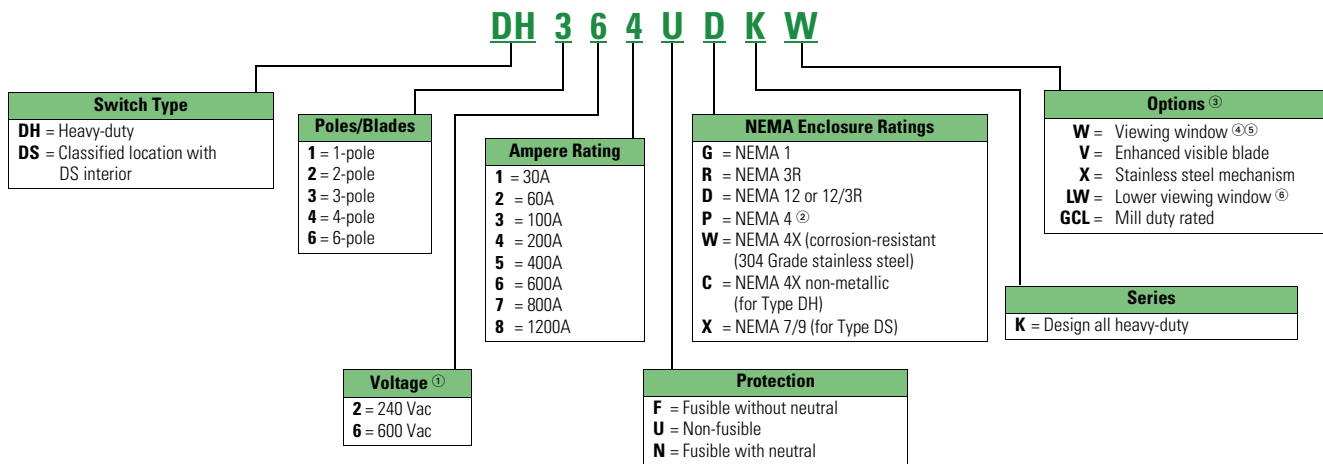
Always verify the number of poles and wires required since catalog numbers may appear in multiple tables.

### Catalog Number Selection

#### General-Duty



#### Heavy-Duty



#### Notes

- ① For DC ratings, check individual switch ratings.
- ② Only available for 400A and higher safety switches.
- ③ See Modifications-Flex Center for additional available options.
- ④ All window switches feature enhanced visible blade design as standard.
- ⑤ Only available in NEMA 12/3R and NEMA 4X enclosures.
- ⑥ Only available in 200 to 1200A NEMA 12/3R and NEMA 4X enclosures.

**These tables are intended for use in breaking down existing catalog numbers. They are not intended for building new catalog numbers.**

A factory-installed ground lug is supplied in all heavy-duty safety switches.